

eDCM 330

Intelligent two door PoE+ Controller



Features that make a difference:

- Intelligent two door controller supporting 3rd party read heads
- Support for two doors
- Onboard 10/100Mbps PoE+ Ethernet connectivity to power door equipment via a single CAT5e/6 cable - no local mains required
- Communicates directly with the central AC2000 access control system
- Database supports 200,000 cardholder records for off-line card validation
- Reader communications via standard Wiegand interfaces
- Eight supervised inputs (four available per door)
- Four outputs (2 per door)
- Self resetting fuses – saves maintenance time
- Onboard LED provides visual status information
- Dedicated tamper input
- A supervised input can be mapped to a physical output
- Suitable for use with AC2000 System family

The eDCM 330 (Door Control Module) is a low cost, two-door controller designed to interface third-party read heads with the CEM range of access control systems. The eDCM 330 also combines Power over Ethernet Plus (PoE+) connectivity, which powers door furniture and two heavy duty maglocks via a single CAT 5e/6 network cable.*

Featuring PoE+ connectivity, the eDCM 330 has the benefit of eliminating the need for an external local mains power supply at the door. This is particularly beneficial where local power is not readily available or where cabling must be kept to a minimum. Using just a single Cat 5e/6 cable to power the door(s), the eDCM 330 unit can offer significant cost savings.

Using a powerful 32bit processor, the eDCM 330 has a large internal database that can store up to 200,000 cardholder records. This gives full off line card validation and decision making capability at the point of entry, when host communication is not available. Up to 8,000 off line transactions can be recorded per door.

The eDCM 330 supports most third-party access control read heads conforming to the physical Wiegand (data/data) interfaces, covering a range of technologies from RF Proximity to Biometric devices.

The eDCM 330 supports two door configurations. It can either be configured for one read head on each separate door, with optional Exit push buttons, or can be configured to support two reader heads (an Entry/Exit configuration) for bi-directional control on a single door.

Integral battery backup management is featured with connections to trickle charge a backup battery (12v 7Ah). Also fitted are PoE Fail and Battery Low input sensors. The unit auto restarts when power supply is restored.

Control and power up to two doors via Power over Ethernet Plus Technology

The eDCM 330 works in conjunction with a PoE+ Midspan power injector between the network and the door and sufficiently powers door read head and two heavy duty maglocks via a single CAT 5e/6 network cable.* This eradicates the need for an extra external power supply above the door.

Onboard card reading technologies

The eDCM 330 supports a wide range of head technologies using the two available on-board Wiegand connections. Supported card technologies include Wiegand 26bit, CEM 37bit, Mifare, Corporate 1000 and many more.

Offline card verification

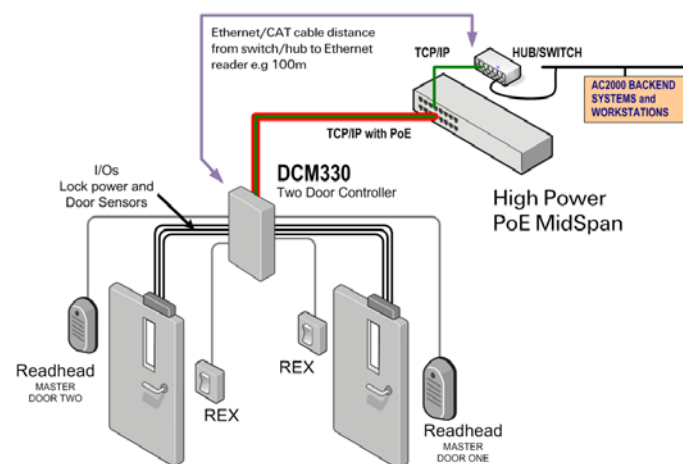
The card database is initially downloaded to the reader's memory from the host computer with subsequent changes to card data automatically sent as updates. This ensures that the reader has up-to-date card information when operating in offline mode. Operating in off-line mode the reader can hold up to 200,000 cards and 8,000 transactions for each door.

Host Communications

The eDCM 330 has an on-board 10/100 Mbps Ethernet allowing it to communicate directly with the AC2000 host central system

Interlock Mode

Airlock mode will create an interlock between both doors when the unit is in two door mode. Full bi-directional interlock is only supported in single door mode.



The PoE+ injector or mid span device supplies all the power for the devices and locks required by two doors.

Ordering Information

Product Code	Description
DCM/330/101	eDCM 330 components mounted in enclosure.
CEQ/576/001	Phihong PoE MidSpan device – 1 Port (PoE36u-1AT)
CEQ/576/004	Phihong PoE MidSpan device – 4 Port (PoE125u-4AT)
CEQ/576/008	Phihong PoE MidSpan device - 8 Port (POE576U-8AT)
CEQ/576/016	Phihong PoE MidSpan device - 16 Port (POE576U-16AT)

Specifications

Physical

Size 460 x 250 x 90mm (18" x 10" x 3.5")
 Weight 3.75 kg
 Housing Steel enclosure (colour beige)
 Colour Grey

Power

Power requirement VPoE+ 802.3at compliant
 Phihong midspan 33.6W per port
 PoE Output voltage 12Vdc @ 1.9A* for DCM board
 Current Consumption 200mA for DCM board
 Backup Battery Integral charging circuit provided with enclosure and space battery (Battery not supplied)

Functionality

Temperature -10° to 55°C (14° to 133°F)

LED Indicators Power, Link to host, Comms Tx/Rx, Fault / Tamper, Lock and Relay Status

Functionality

Configuration Operational parameters are downloaded from host computer

eDCM 330 Inputs Door Position*
 Lock Status*
 Exit Push Button*
 Interlock*
 Power Fail Tamper
 Battery Low (reported internally)
 Dedicated Power Fail Input

* = 4 state tamper protected inputs

These physical inputs can be used, if spare, as general inputs for alarm monitoring

eDCM 330 Outputs Two Relays rated at 30V@5A
 Two 12V open collector outputs limited to 1.5A (Door Lock and External Sounder)

Reader capacity 2 Weigand interfaces (data/data)
 Configuration Operational parameters are downloaded from host computer
 Database Memory 1GB SD Card
 Cardholders Storage up to 200,000 cardholders at the door
 Transactions Up to 8,000 transactions in offline operation
 PCB Battery 3.0V rechargeable Lithium; Used for PCB real-time clock only

* Up to 1.9 Amps at 12V available at the door to power the DCM board including all attached devices, using a CEM recommended Phihong midspan and up to 50m of CAT5e/6 cable at room temperature.

Requirements

Compatible with the AC2000 access control family:

- AC2000
- AC2000 Airport
- AC2000 Lite
- RTC Ethernet Reader Controller

Related Products



AC2000
 AC2000 Airport
 AC2000 Lite

www.cemsys.com