

DIU 230

Power over Ethernet Door Interface Unit



Features that make a difference:

- Door and reader power with Ethernet communications via a single Cat 5e/6 cable
- Eliminates the need to have mains power and a power supply at the door
- Provides local power for a full door set including up to 2 Maglocks.
- Up to 1.9 Amps available at the door*
- Compatible with a range of Phihong midspan devices
- Door Interface Electronics held on one board
- Provides 'coded lock' interface between door hardware and card reader
- Dedicated Fire Alarm, Breakglass and Tamper inputs
- Wiegand interface for 3rd party exit reader
- Designed for ease of installation and maintenance
- Onboard battery backup & patented power assist feature
- Used with the AC2000 range

Where a high level of security is required and cabling must be kept to a minimum, the PoE+ DIU 230 offers the ideal solution. Used as part of the AC2000 security management system, the DIU 230 is a complete package that combines Ethernet communication with battery backed lock and door power.

The DIU 230 works in conjunction with a Midspan power injector between the server and the door. Using just a single Cat 5e/6 cable the DIU 230 eliminates the need for a mains power supply at the door. Where local power is not readily available, the DIU 230 can offer significant cost savings.

The DIU 230 supports a range of PoE+ mid-spans, offering the highest levels of flexibility, with sufficient power for almost every situation.

Power Over Ethernet Access Control

The DIU 230 offers a complete IP based access control solution that eradicates the need to provide local mains power at the door. The unit installation is classed

as low voltage and can be completed by IT network installers without the expense of an electrician or electrical contractor.

Benefits

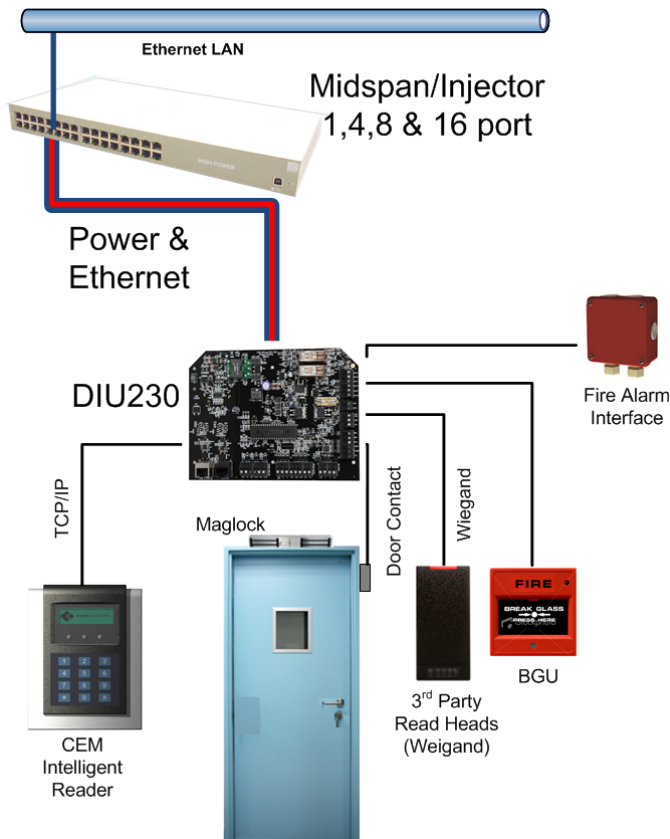
The DIU 230 has an increased current capacity of up to 1.9 Amps*. This allows a wide range of door locks or a pair of locks and end devices to be used. The Phihong range of PoE+ midspans, as below, are recommended.

The unit incorporates a wiegand interface which allows a 3rd party wiegand read head to be directly connected. This provides a low cost alternative if an LCD and keypad are not required for the exit side of the door.

Available as a board only version or as lockable wall mounted enclosure with storage for back up battery.

When fitted with a back-up battery, the DIU 230 and any equipment attached to it will continue to work through a power failure. For example, a 7.2AH battery could keep a door operational for up to 4 hours.

* Up to 1.9 Amps at 12V includes all attached devices, using a CEM recommended Phihong midspan and up to 50m of CAT5e/6 cable at room temperature.



Specifications

Physical

Size	Board only 193mm x 147mm x 20mm (7.6" x 5.8" x 0.8")
	Enclosure version 460mm x 250mm x 90mm (18.1" x 9.8" x 3.5")
Weight	Board only 0.65Kg
	Enclosure version 3.65Kg
Enclosure Color	Light Gray
Power requirement	PoE+ 802.3at compliant
	Phihong midspan with 33.6W per port
Environmental	Temperature -10°C to +55°C (subject to battery specifications)
LED Indicators	* 3x Status LED – Reflected on read-head * RS485 Activity LED * Lock Secure Contact * Lock Safe * Holder LED * Switcher Okay * Battery status LED

Functionality

Inputs	* Door Position * Lock Status * Exit push button * Break Glass unit * Fire Input
Outputs	Lock Secure/Safe 12V Relay Output Door Holder 12V Relay Output Sounder 12V Open Collector Dedicated DCM300 power output Total output power capability up to 1.9 Amps Midspan dependant. Intelligent PoE+ power sharing between attached devices and battery charging.
Memory	32kB Flash memory

Communication Interface

To Card Reader	Ethernet and RS485 cable
Connection	RJ45 and 2 part screw terminals

Regulatory

Agency Certifications FCC Part 15*

Compatible Midspans

- Phihong 1 port midspan (POE36U-1AT)
- Phihong 4 port midspan (POE125U-4AT)
- Phihong 8 port midspan (POE576U-8AT)

*applies to enclosure version only

Product Code	Description
DIU/700/230	Board only version
DIU/700/231	Enclosure version

Related Products



AC2000
AC2000 Airport
AC2000 Lite

Approvals



Applies to enclosure version only

www.cemsys.com