



AC2000 DSC PowerSeries Intruder Interface

Interface for Intruder Detection System Integration

OVERVIEW

The AC2000 DSC PowerSeries intruder interface enables alarms from DSC intruder panels to be fully integrated with the AC2000 security management system.

The AC2000 DSC interface enables inputs from intruder panels to be placed as icons on a single alarm display screen - the CEM AED (Alarm & Event Display) application. This provides a graphical representation of the physical layout of intruder sensors and allows for central alarm monitoring of both access control and intruder alarms.

Using the AC2000 DSC interface and the central AC2000 AED graphical maps, system operators can quickly identify an intruder alarm and its exact location on site. This allows for a fast response time and a centralised and integrated viewpoint of both security systems.

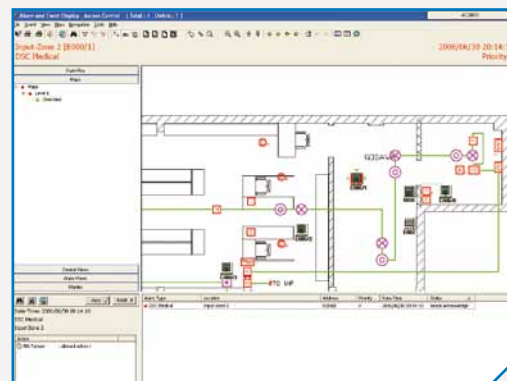
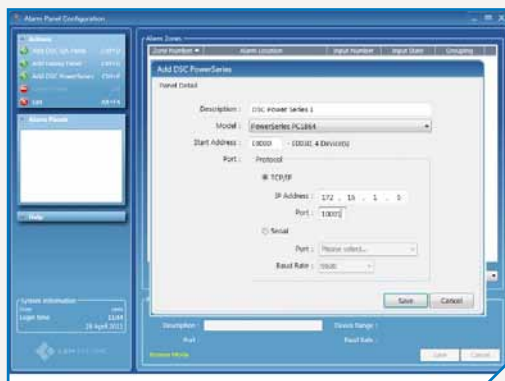
Combined with CCTV integration, intruder alarms can also activate a CCTV matrix, or be used to cause video images to be recorded on a compatible video management system.

AC2000 DSC PowerSeries interface also features a virtual DSC keypad application, which is used by a workstation operator to Arm/Disarm intruder panels remotely from the AC2000 system. The virtual keypad acts as the main interface between the AC2000 system and DSC panels and features all the same keypad functions and controls as the DSC PowerSeries panel for user familiarity. Using the virtual keypad, intruder panels can be reset, navigated and emergency keys activated remotely.

FEATURES

- Seamless integration of access control system & DSC intruder system
- High level Bi-directional integration of DSC intruder panels
- Integrated virtual DSC keypad used to remotely arm/disarm DSC panels & alarms
- Activated alarms shown instantly within AC2000 AED (Alarm & Event Display) module - DSC panels sensors/icons placed on AED Maps
- DSC intruder alarms reported instantly on AC2000 AED application for central monitoring
- Ethernet & Serial networks supported
- Intuitive setup & configuration tool

SOFTWARE HIGHLIGHTS



Ease of Configuration

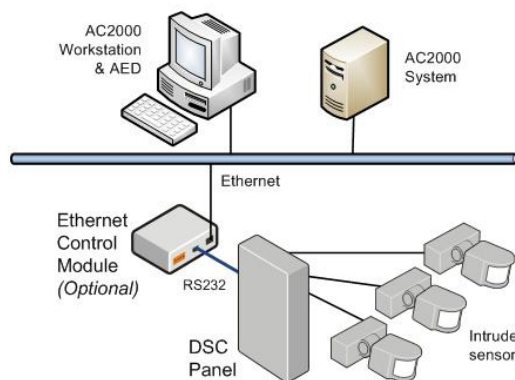
A simple alarm panel configuration application allows the simple integration of DSC intruder panel devices within the AC2000 system. Using this intuitive software interface, system administrators give the intruder panel a name, select the number of associated zones, state the starting address and add each panel to the system in groups of 8 or 16 inputs. The alarm panel configuration software indeed simplifies the configuration of larger intruder panel systems by automatically creating and addressing entries in the AC2000 devices table thereby greatly reducing the amount of data the operator must enter.

Central monitoring & control of intruder / access control alarms

Alarms from DSC PowerSeries intruder panels are sent to the AC2000 system over Ethernet using an ECM (Ethernet Communication Module) or directly over RS232. Intruder alarms are then extracted and mapped to AC2000 system alarms which are sent to the AC2000 central database and the AED (Alarm & Event Display) application for visual acknowledgement. Alarm icons can be placed on to AED graphical maps alongside access control readers and camera locations. Alarms are received, processed and reported on the AC2000 AED application for central management by security personnel. AED can also show any errors or troubles with the DSC alarm panels, for example low battery.

Alarm Panel Configuration

The AC2000 DSC interface also accepts alarm information from the alarm panels over a serial network. The CEM Ethernet Control Module (Serial to Ethernet convertor) is recommended for an Ethernet/Serial signal interface. A direct serial link from a RS232 COM port on the central controller is also supported.



Integrated DSC virtual keypad

Alarms displayed within AED can be acknowledged and cancelled (Armed/Disarmed) using a virtual 'on screen' keypad. The virtual software keypad can be used to arm/disarm and/or remotely acknowledge/cancel intruder panel alarms. The virtual keypad can also be used to generate emergency alarms such as sounding the fire alarm and triggering a panic alarm. Designed as a user friendly tool, the virtual keypad conveniently has the same functions, navigations and emergency keys as the physical DSC PowerSeries alarm panels.

Intruder Panel Compatibility

- 1 DSC PowerSeries Alarm Panel
- 1 DSC PowerSeries LCD Keypad

Minimum System Requirements

- AC2000 SE v6.3 & AC2000 Lite v6.4 and upwards
- AC2000 DSC PowerSeries Intruder Interface licence SWINT-DSCP
- ECM (Ethernet Communication Module) for Ethernet connectivity – *Optional*
- 1 DSC PowerSeries IT-100 Integration Module

Product specifications and availability is subject to change without notice. Certain product names mentioned herein may be trade names and/or registered trademarks of their companies.